

INSTALLATION INSTRUCTIONS

60" MULCH KIT - 966 444701

IMPORTANT: BEFORE PROCEEDING, PLACE ALL CONTROLS IN THE *DISENGAGED* OR *OFF* POSITION, REMOVE SPARK PLUG WIRES FROM THE SPARK PLUGS.

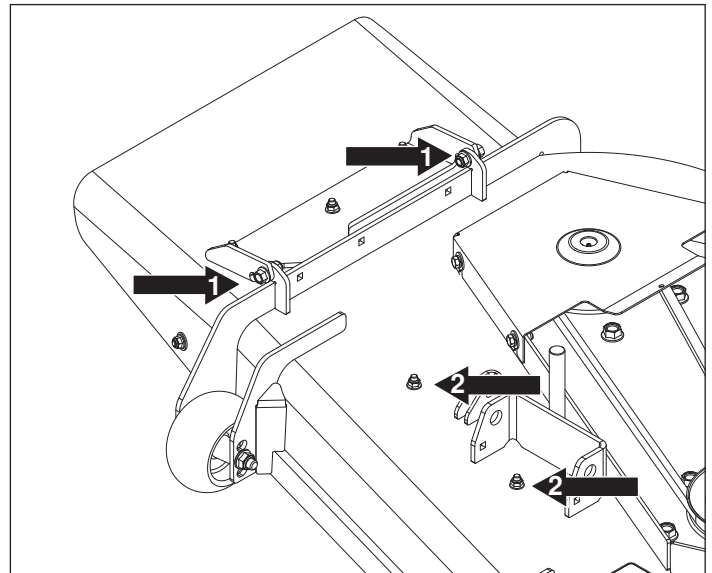


WARNING!

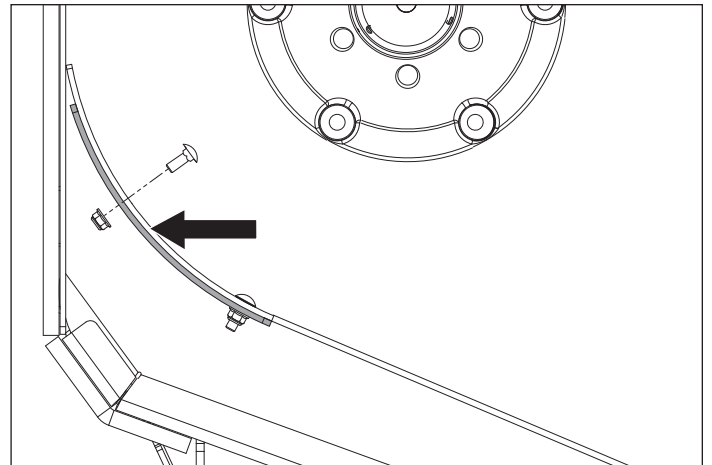


Blades are sharp. Protect your hands with gloves and/or wrap blades with a heavy cloth when handling.

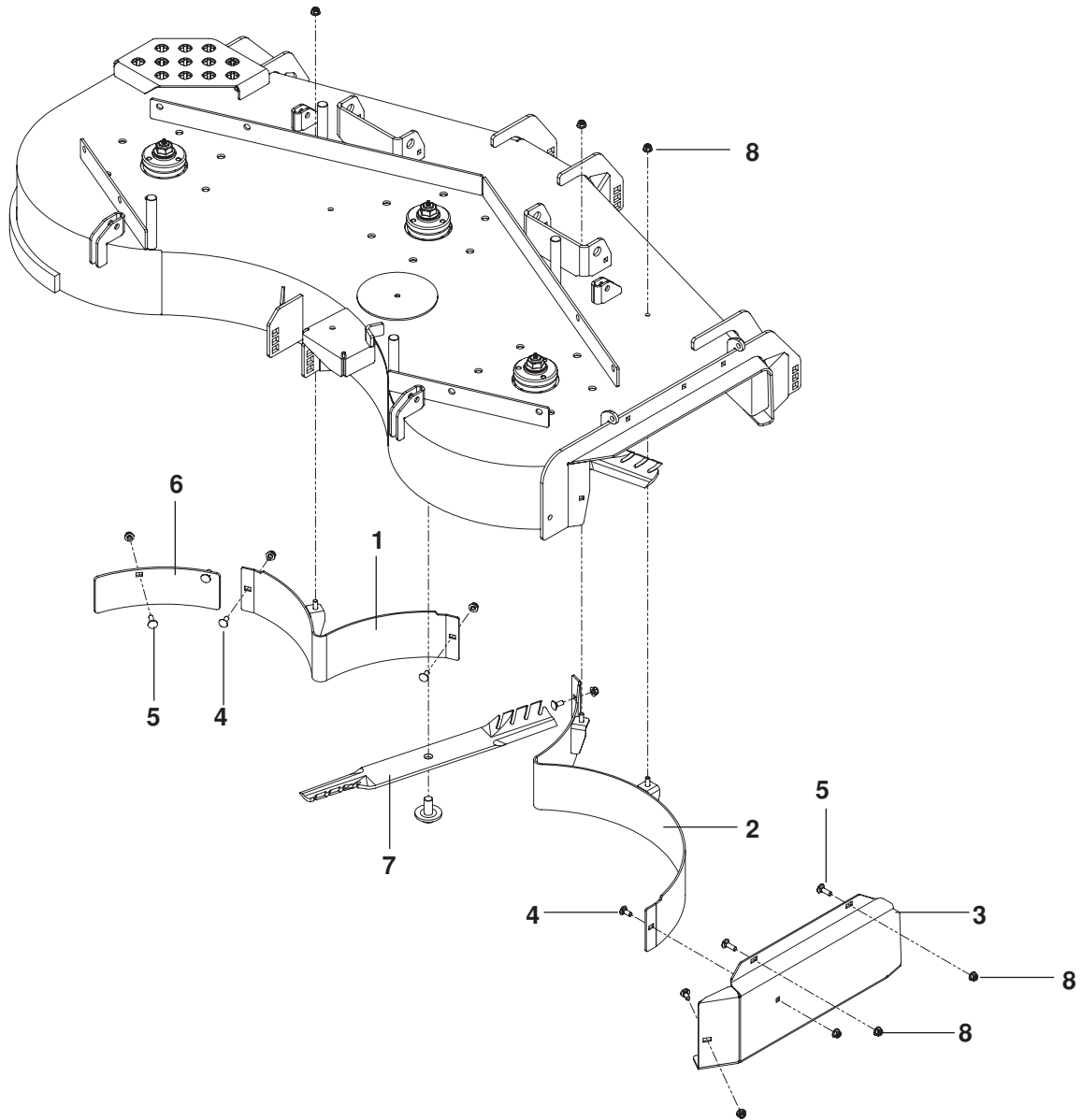
1. Block the front of the mower up to give access to the underside of the front deck. Remove the discharge chute assembly by removing the hardware (1) on the bracket top. Set the assembly and hardware aside for reinstallation when the mulch kit is not being used.
2. Remove the three nuts and bolts that protect the mulch kit fastening locations (2).
- NOTE: Only two hardware sites are shown in the illustration.
3. Carefully remove the cutting blades, retaining the blade bolts for reuse. Clean any grass out from underneath the deck.



4. Bolt left hand corner mulch baffle to the **outside** of the deck baffle weldment as shown in the illustration.



PARTS LIST



| ITEM | PART NO. | QTY. | DESCRIPTION |
|------|----------------|-------|---|
| 1.. | 574 298102.... | 1.... | BAFFLE, MULCH LH |
| 2.. | 574298202..... | 1.... | BAFFLE, MULCH RH |
| 3.. | 516 004702.... | 1.... | CAP, MULCH |
| 4.. | 539 990316.... | 5.... | RHSNB ⁵ / ₁₆ -18 x ³ / ₄ GR 5 |

| ITEM | PART NO. | QTY. | DESCRIPTION |
|------|----------------|--------|---|
| 5.. | 539 990208.... | 4.... | RHSNB ⁵ / ₁₆ -18 X 1 GR 5 |
| 6.. | 522 849802.... | 1.... | BAFFLE, LH CORNER |
| 7.. | 522 936601.... | 3.... | BLADE, 21" GATOR |
| 8.. | 539 112899.. | 12.... | NUT ⁵ / ₁₆ -18 HEX FLNG NYLOC |